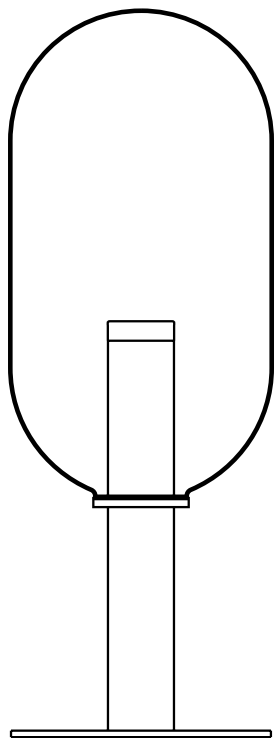


phenomena

Design by
Dechem Studio



bomma

bomma.cz

TECHNICAL SHEET

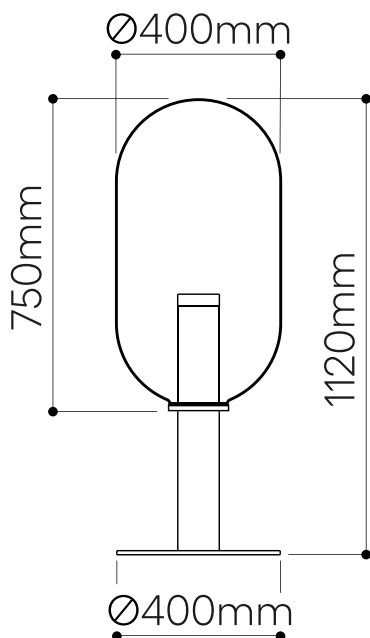
PHENOMENA

floor lamp capsule

Design by
Dechem Studio

All Bomma products are hand-made from mouth-blown lead-free crystal. Therefore any small bubbles, non-melts and irregularities in the glass are both proof and a characteristic feature of this traditional craft.

The Phenomena Collection is made by underlying colored glass technology. Thanks to the manual process of blowing underlay glass, each piece is an original. Individual products may vary slightly in intensity, hue or even color. This is an accompanying characteristic of the traditional underlay glass technology.



LIGHTING DESCRIPTION

Size	dia. 400 mm, H 1120 mm dia. 15,7 inch, H 44,1 inch
Cable	black textile braid 2,5 m / 98,4 inch
Weigh	35 kg / 77 lb
Material	mouth-blow lead-free crystal in clear, smoke grey and mint green
Mounting Materials	polished stainless steel / polished stainless steel with nitride titan coating
Mounting Colors	silver / gold
Protection	IP 20
Nominal voltage	220-230V / A.C. 50 hz (EU) 100-120 V / A.C. 60 Hz (USA)
Class	II. EU / I. USA

LIGHT SOURCE

Type	A60 / A19, 6W led, 390 lm
Base	E27 (EU) / E26 (USA)
Voltage	200-240V, AC 100-140V, AC
Temperature	2700 K
Color index	RA 90+
Dimming	Dimmable with TRIAC ; on demand dimmable with DALI, RF/WIFI, for information on dimming with other systems please contact your Bomma partner.

PACKAGING

Material	Cardboard
Size	780 × 660 × 660 mm 30,7 × 26 × 26 inch 630 × 430 × 430 mm 24,8 × 16,9 × 16,9 inch

Origin: traditionally produced in the Czech Republic
Intellectual property license holder: Bomma Czech Republic (EU)
represented by Bohemia Machine s.r.o.

CERTIFICATES

